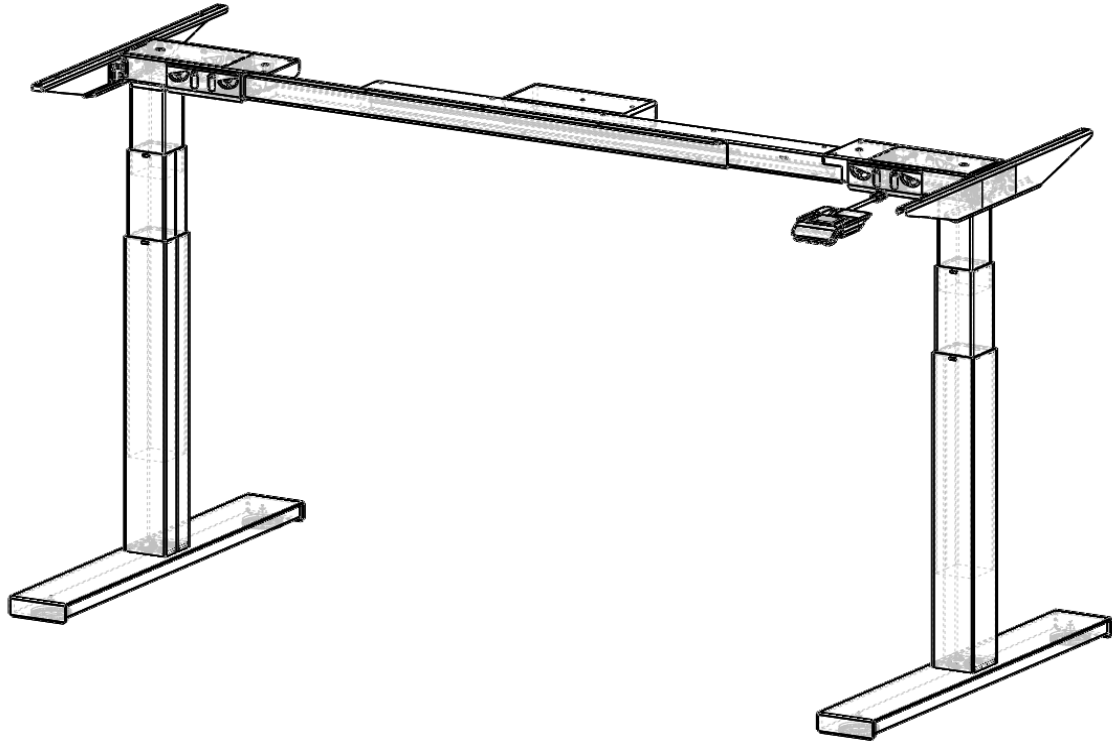


Kick & Click Desk Assembly Instructions



**Note: Please use these Assembly Instructions and no others.
Do not use the instructions that came in the frame box.**

Title: Kick & Click Sit-stand Desk

Issue: 1

Issue Date: 19/08/2020

Author: RC

File Name: Kick & Click Sit-stand Desk Issue 1 19.08.2020

To view a step-by-step assembly video, please visit:

<https://vimeo.com/451871468>

or

Scan the code



Cautions and Use

Caution. Make sure that when operating this desk after assembly no objects are in the path of the desk when it is being raised or lowered. Failure to ensure complete assembly and to also take adequate care when using the desk could result in injury to persons and property.

Should this desk be re-sold please ensure these instructions are passed to the buyer.

In the event that any screws, allen keys or any other components or fasteners are missing from the box when opened please contact GoStand Limited at the contact details on the cover page.

Inappropriate use of this desk could cause injury to persons and property.

Do not dismantle any single parts within the product.

Please make all users of the desk aware of these important safety instructions.

The desk is not designed for a person to either sit on it or to move the desk up and down whilst sitting on the desk. This can cause bodily injury. Do not crawl around or lie under the desk while it is in use.

This height adjustable desk is for office or home office use only. It is not designed for use in any other environment. It should not be used in industrial areas, food preparation, workshops or other. It should not be in a high moisture environment nor subject to exposure to fluids.

The desk is designed to lift office equipment such as a computer, keyboard, monitor, mouse, tablet and stationery. It should not be sat on by any person and should above all not be moved up or down with a person on it. It should be free to move up and down without hindrance. Objects should not be placed below or around the desk that can be crushed or cause the desk to jam.

GoStand Limited accepts no liability for any injury or loss caused by improper assembly or use of this product. Similarly improper use of the product will void any and all warranty claims.

Children should be supervised by an adult at all times when using the desk.

Post Assembly and Positioning

Once the desk has been assembled, adjust the feet so the desk is level and stable.

Make sure the desk is clear of any objects when positioning such as radiators, windows, furniture etc.

Do not place any objects greater than 500mm in height below the desk. Do not lift it by the desk top but by frame just underneath.

Use caution when manoeuvring desk.

Before starting the assembly process

Try to work in a carpeted or padded place.

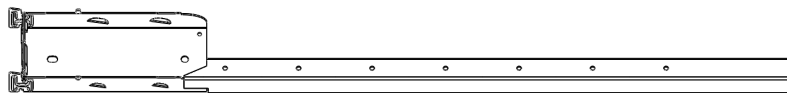
Assembly is generally easiest at floor level.

If putting the desk-top on with the frame upside down we would recommend having someone on hand to turn the desk over.

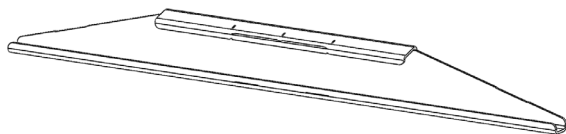
Parts & Tools List



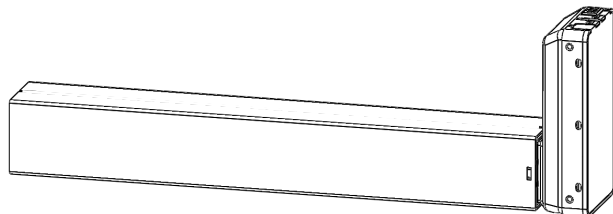
1. Outer Frame End



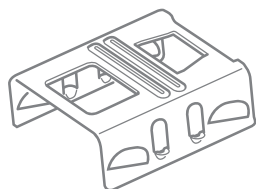
2. Inner Frame End



3. Side Arm (x2)



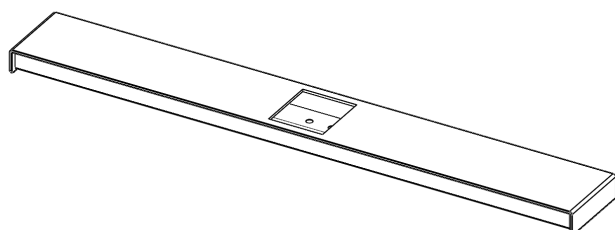
4. Leg (x2)



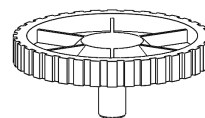
5. Clamp (x2)



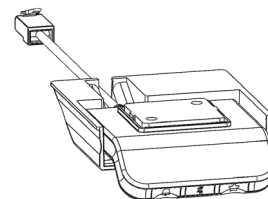
6. Kick Lock (x2)



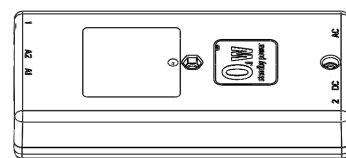
7. Foot (x2)



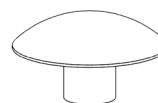
8. Foot Pad (x4)



9. Control Panel



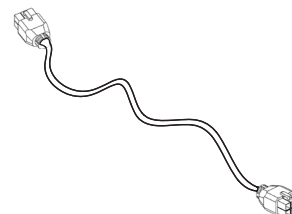
10. Control Box



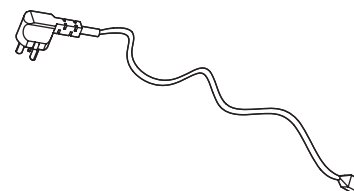
11. Cross Frame Plug



12. M6 Screw (x8)



13. Leg Cable (x2)



14. Power Cable

Assembly

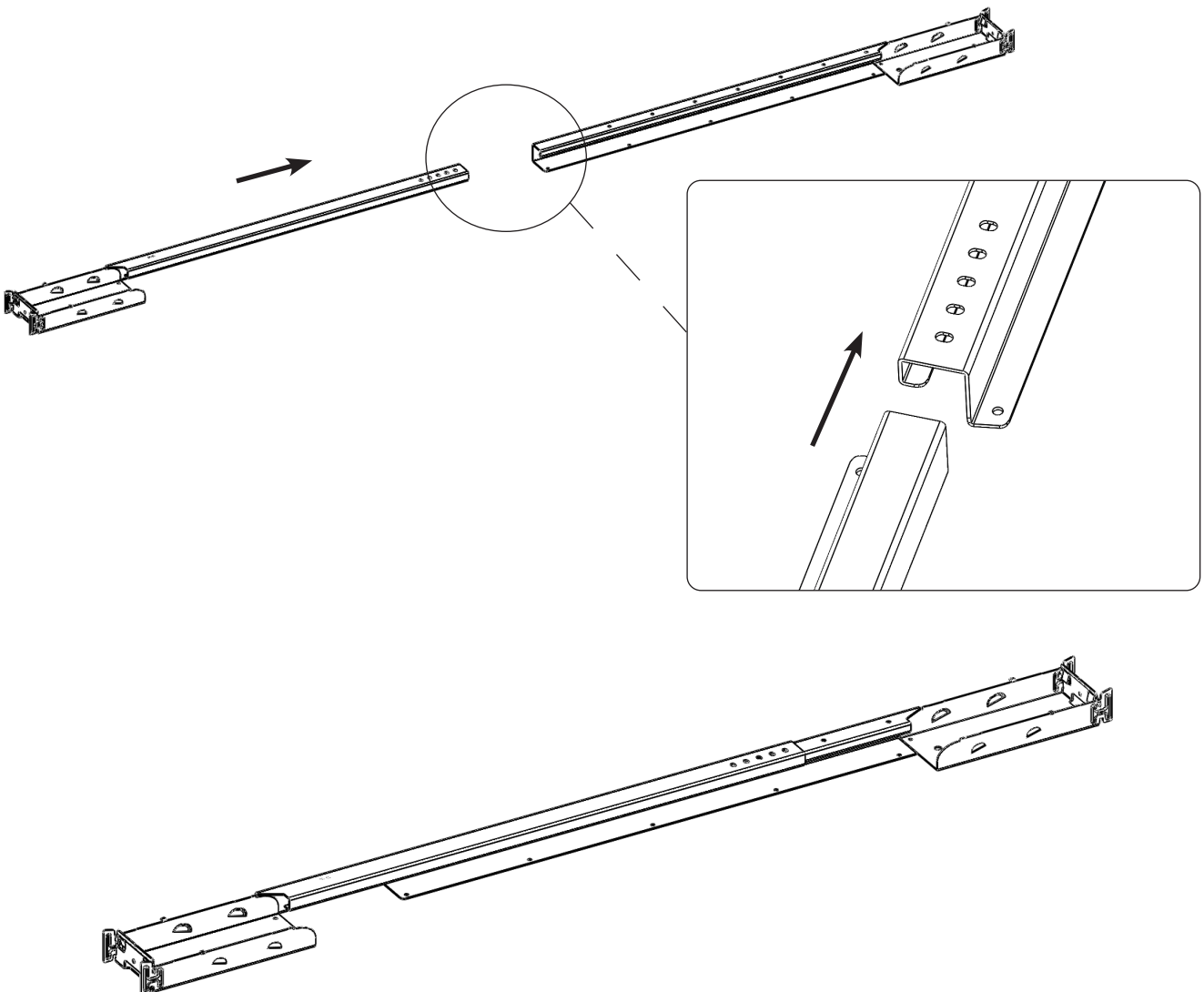
Step 1

Remove all parts from your desk frame box, and confirm that no items are missing. If you do have missing items please contact us immediately as we hold spares and can send out spare parts that same day.

Step 2

Firstly, take both frame ends.

Slide the two frame ends together to construct the cross frame assembly.

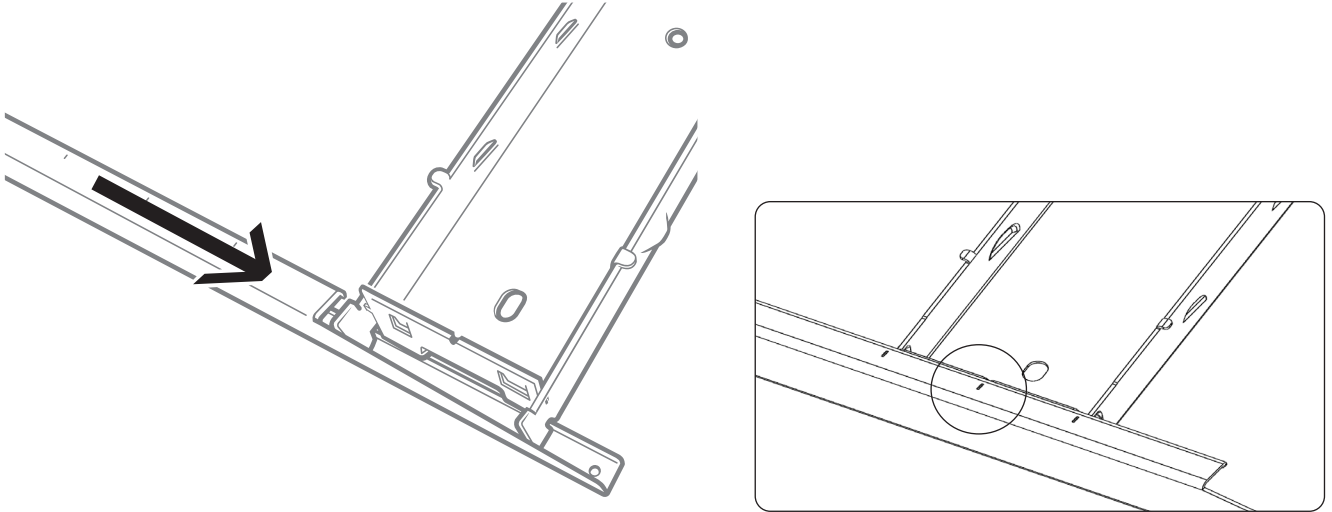


Step 3

Now we need to attach the side arms.

Take both the side arms and slide them onto the ends of the cross frame assembly.

Ensure the markings on the side arms are aligned with the centre of the frame ends.



Step 4

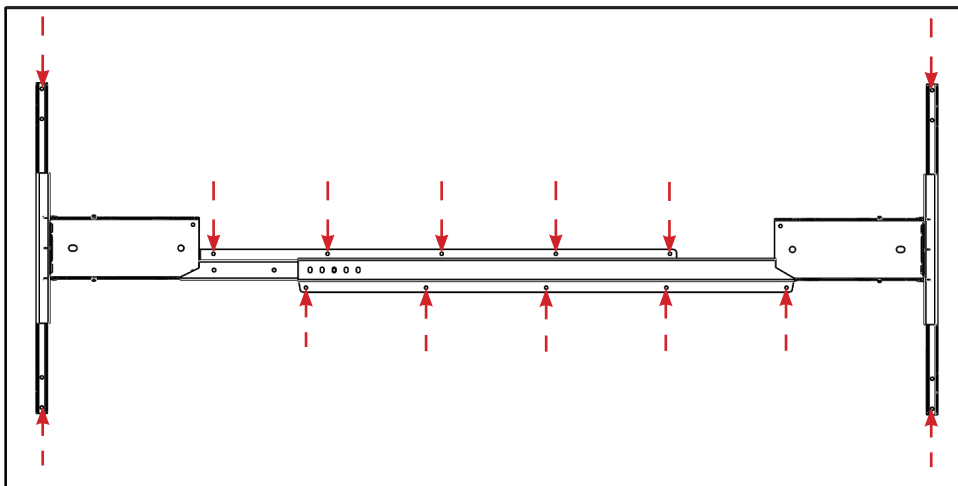
Now place your desk-top good face down on something soft such as a carpet or rug to avoid damaging it.

To know which is the good face of the desk-top is simple. This is the blank face without the inserts.

Then, place your cross frame assembly on top of the desk-top.

Align the slots of your frame with the metal inserts in the desk-top (note you may need to remove the pre-fitted screws in the inserts to do this easily).

This will set your frame to its correct width.



NOTE:

Inserts will have been placed in the correct positions for each desk-top size by GoStand

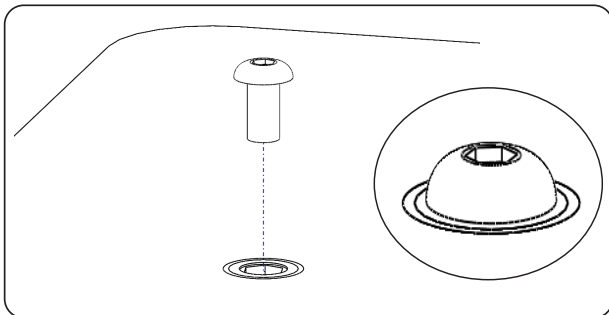
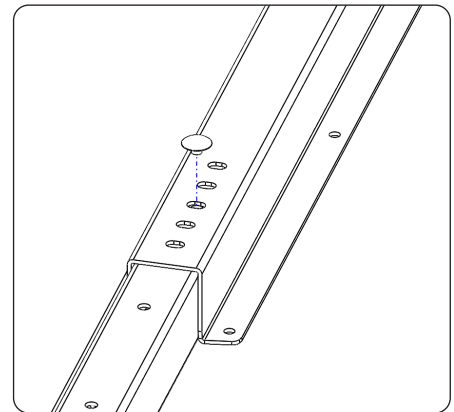
Step 4 Continued

Then place the cross frame plug into the suitable centre hole of the frame.

Do not worry if the plug does not fit through one of the centre holes. This is due to the way we have inserted your desk-top.

The plug is not an essential part of the assembly, your desk will just as stable and secure without it.

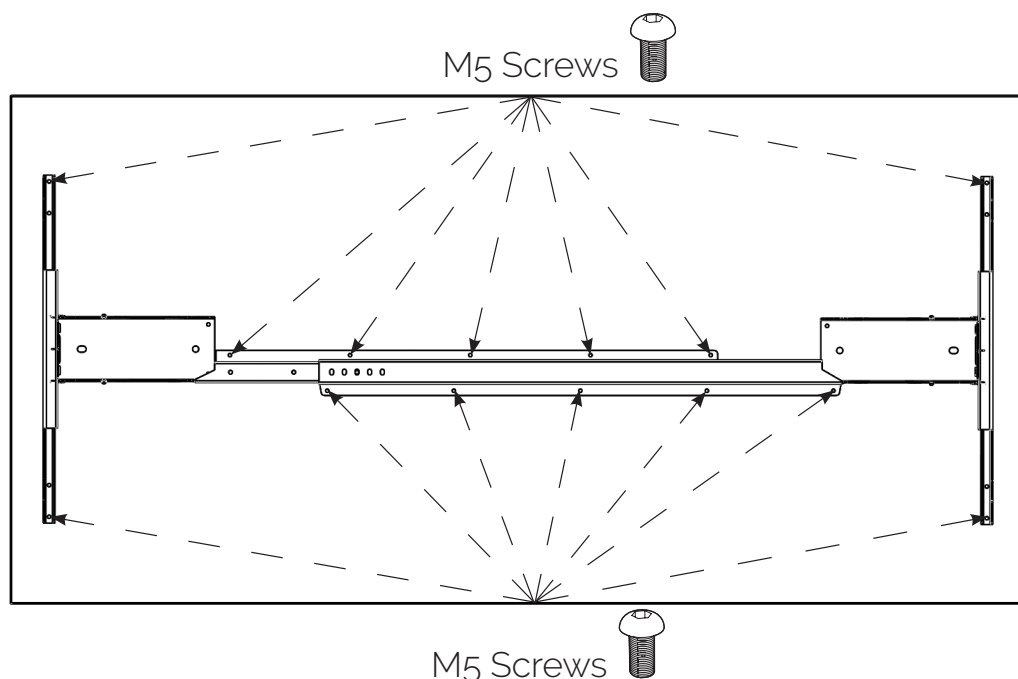
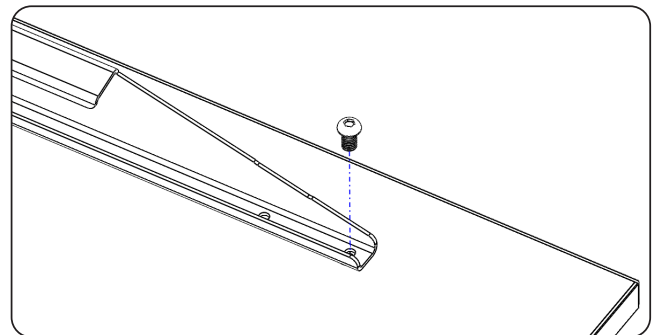
Your desk-top has inserts in place, this means at the factory we have installed metal components into the desk-top which allow the frame to be secured to the desk-top with engineering hex headed screws and not wood/self-tapping screws.



The screws referred to in this section are not in the screw pack but will be in the inserts when the desk is delivered. These screws are referred to as M5 screws.

Once the cross frame assembly has been set to the appropriate width, secure it to the desk-top by placing 14 M5 screws into the inserts, as shown below.

Ensure that these screws are fully tightened.

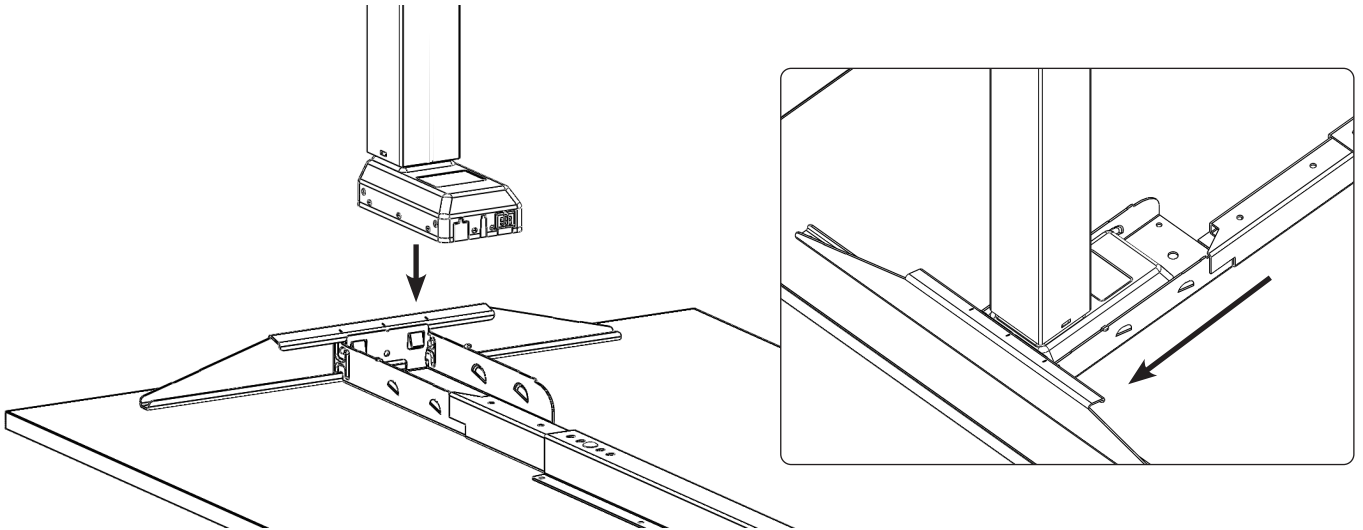


Step 5

Now the legs need to be attached to the frame.

Place the legs into both ends of the cross frame.

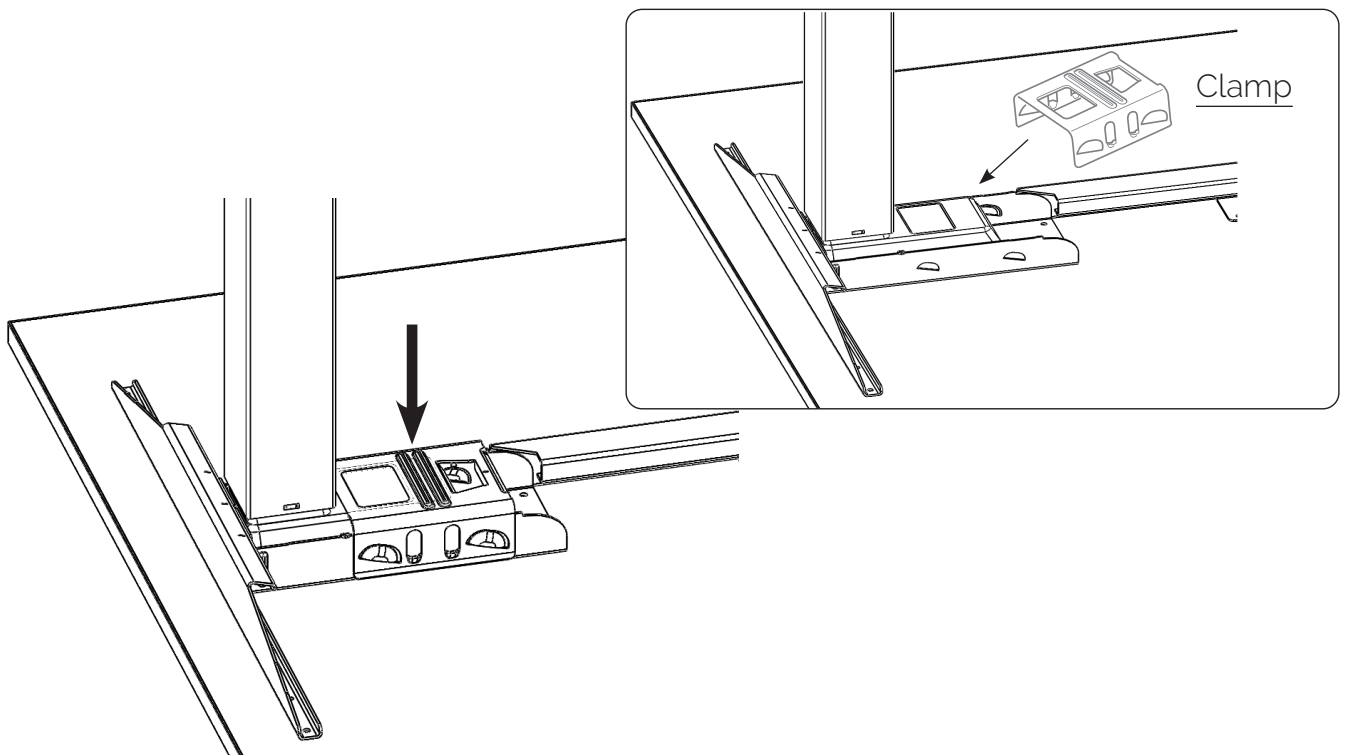
Ensure the back of each leg is held tightly in position against the frame end.



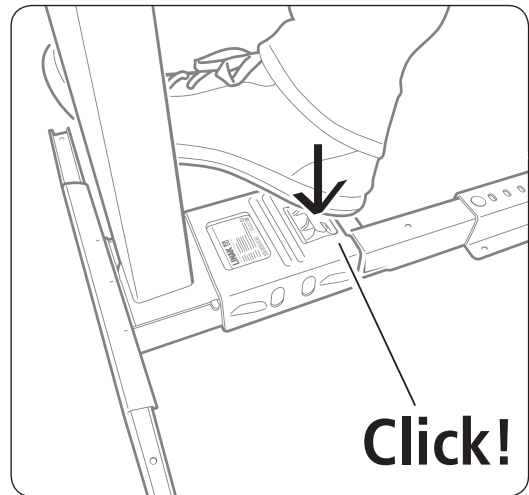
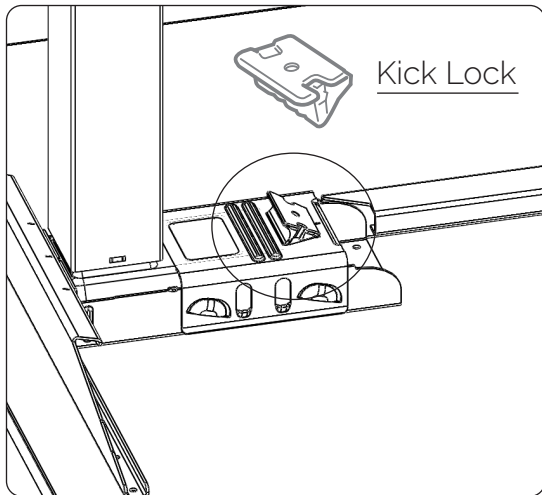
Now take one of the clamps. Position the clamp over the frame end, in the orientation shown below. Ensure that the clamp is placed in front of the overhang of the frame end.

Push firmly down on the clamp to attach it to the frame end.

Repeat this process for the second clamp on the other side of the frame end.



Step 6



Place a Kick Lock onto each clamp, as shown above.

Push down on the Kick Lock to fasten it to the frame. The Kick Lock should lie flat on the clamp.

A click can be heard when the Kick Lock is secured.

Step 7

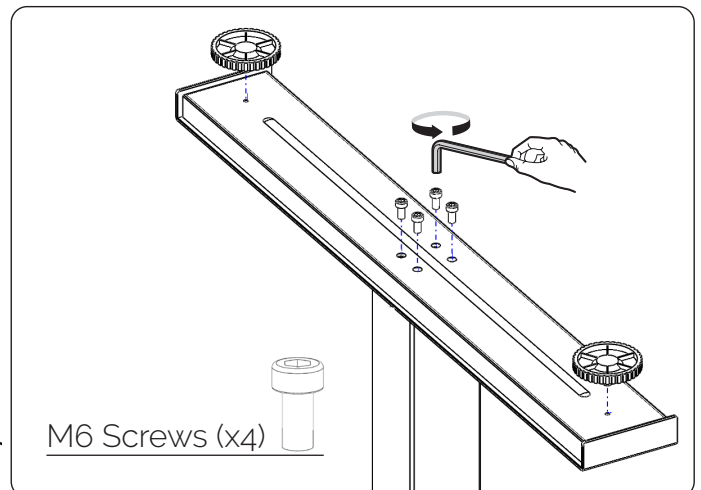
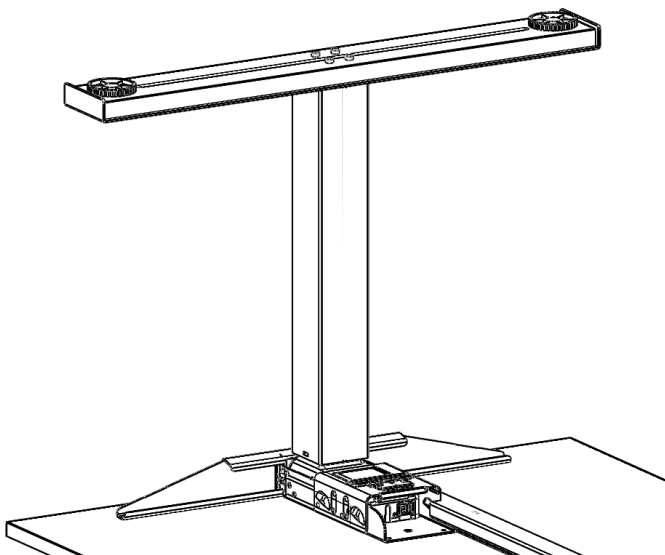
Now we need to attach the feet to the frame.

Take a foot, and position it on the end of the leg.
Align the four holes in the foot with the holes in the at the of the leg.

Securely attach the foot to the leg by screwing 4 M6 screws into the holes.

Once this is completed, screw a foot pad into each end of the foot.

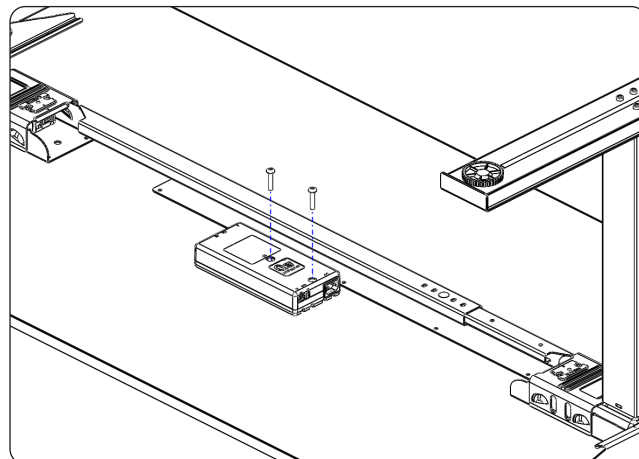
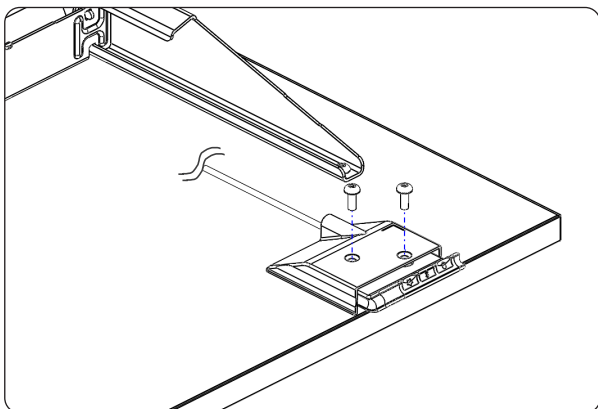
Repeat this process to attach the other foot onto the other leg.



Step 8

The control box and control panel can now be attached to the desk-top.

Place the control box over its suitably placed inserts at the centre of the desk-top, and secure it using 2 M5 screws.



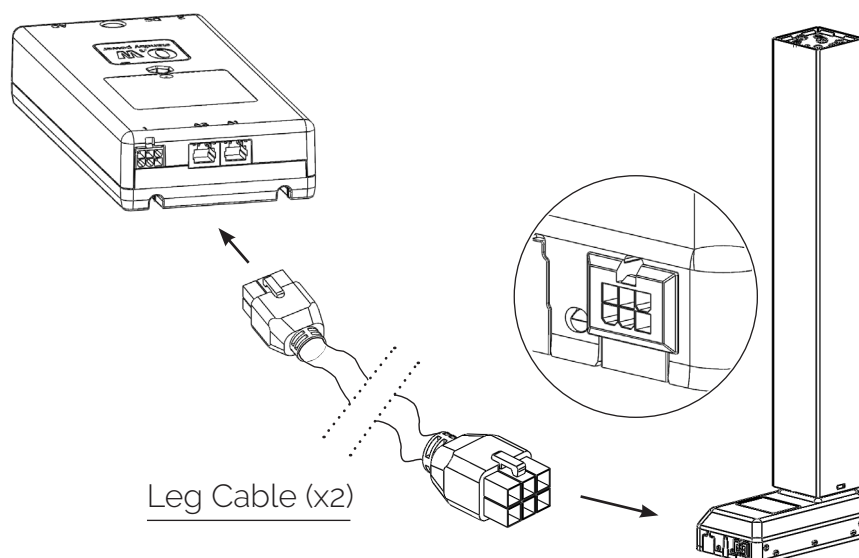
Now place the control panel over its suitably placed inserts at the edge of the desk-top, and secure it using 2 M4 screws.

Step 9

To ensure that your desk's height can be adjustable, the control box must be correctly connected to the leg modules, control panel and power supply.

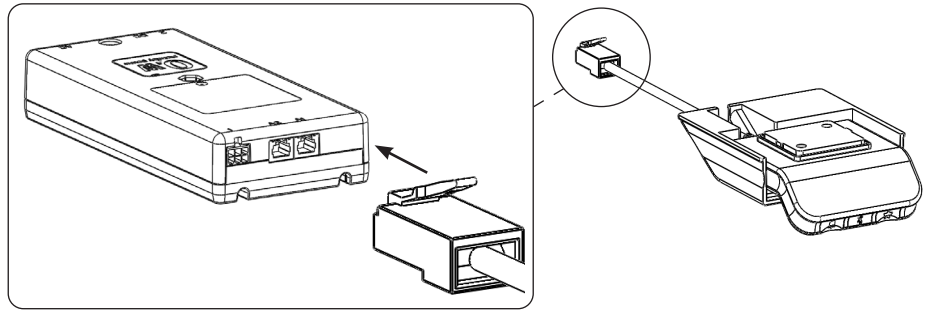
Take the two leg cables. Connect the control box to the legs by plugging one end of the cable into the suitable port in the legs and the other end into the suitable port in the control box.

Connect the control panel to the control box by plugging the loose end of the control panel's cable into the suitable port.



Step 9 Continued

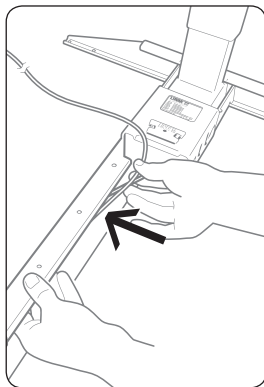
Now connect the power cable to the control box. This is done by plugging the power cable into the suitable port.



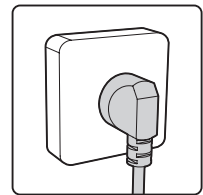
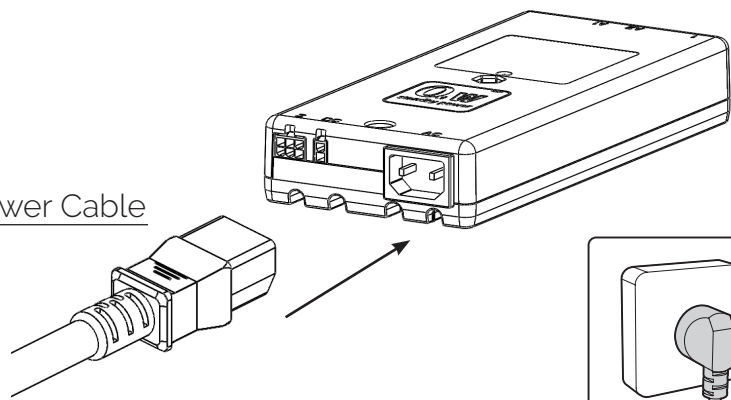
Then, plug the other end of the power cable into a mains plug socket.

This will provide power to the desk's raising system.

The cables can then be tucked into the cross frame to keep them hidden and held out of the way.



Power Cable



Mains Plug Socket

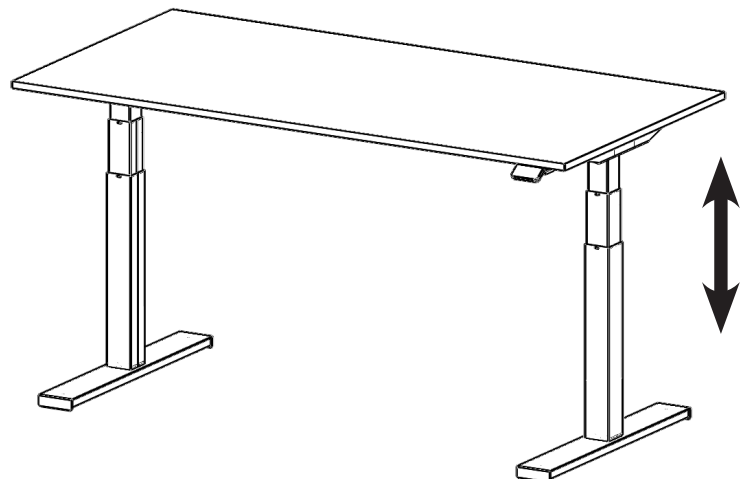
Step 10

Now overturn your desk so that it is standing on its feet.

Test the ability of your frame by operating the control panel.

Press the control panel upwards to raise the frame.

Press the control panel downwards to lower the frame.



This completes the construction of your Kick & Click Sit-stand Desk.
Please do not dispose of this assembly instructions document.

If you have any questions, need any spares or require assembly assistance please contact us.



UK:

Email: info@gostand.co.uk

Tel: 0800 368 9668

Ireland:

Email: Info@gostand.ie

Tel: 04890767076